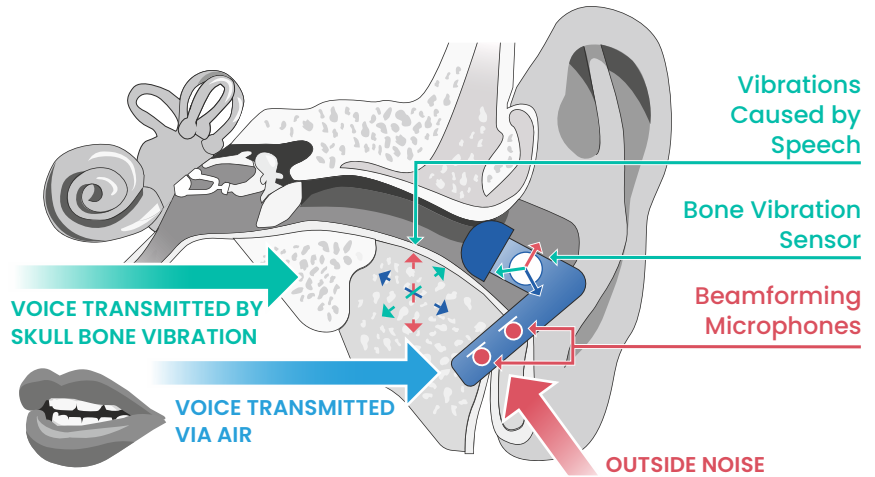


Alango OnlyVoice™

DSP VOICE CAPTURE TECHNOLOGY FOR TWS EARBUDS

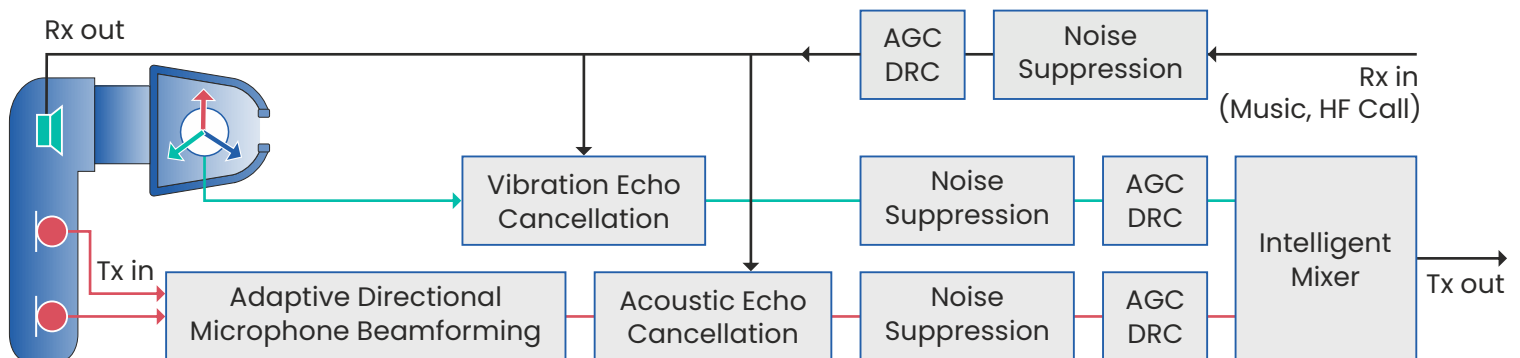


- ▶ The user's speech picked up by the microphones in the earpiece may be contaminated by ambient noise.
- ▶ The vibration sensor captures the user's speech via bone and tissue vibrations that is free of acoustic noise but limited to a frequency of 1 kHz.



- ▶ Acoustic echoes in the microphone signals and potential "vibration echoes" in the bone conduction signal are cancelled.
- ▶ Acoustic and bone-conducted speech signals are cleaned up using noise reduction technology.
- ▶ Microphone signals are enhanced with adaptive beamforming technology, which is most efficient at high frequencies, and mixed with the bone conduction signal at low frequencies.
- ▶ Intelligent mixing is controlled by the levels and spectra of speech and noise in the acoustic and bone-conducted signals to achieve the best sound quality.

BLOCK DIAGRAM OF OnlyVoice™ SOLUTION



Available on a variety of DSP/MCU cores.



www.alango.com
info@alango.com



2 Etgar, Tirat Carmel
3903213, Israel

DSP SOFTWARE TECHNOLOGIES
FOR VOICE-AUDIO-HEARING